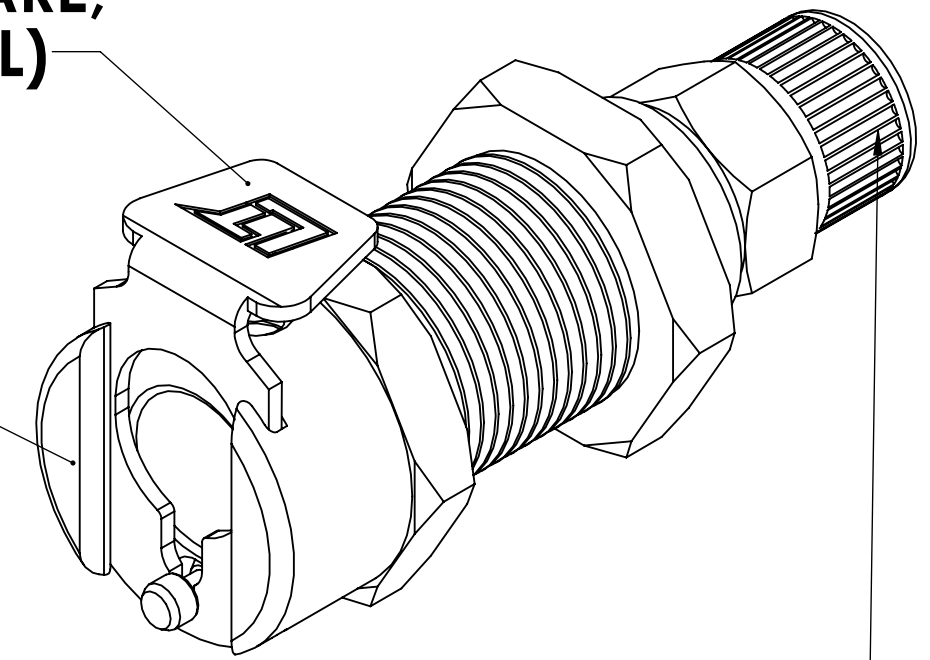


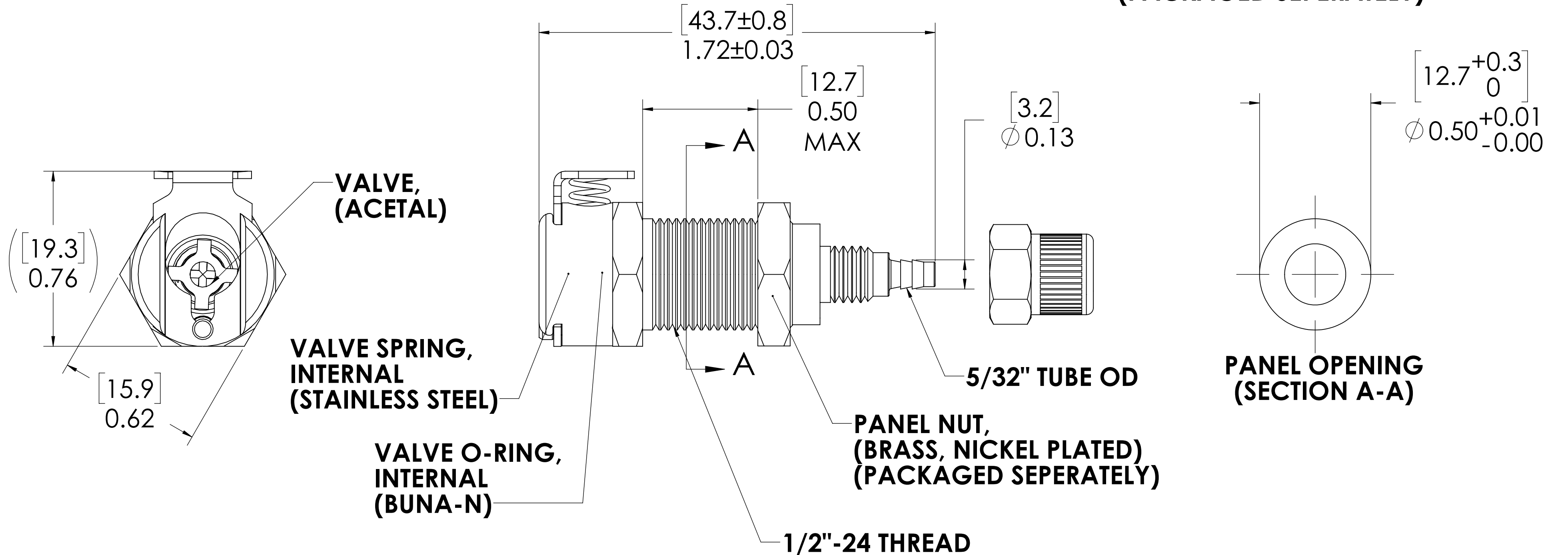
REVISIONS						
SHEET	ZONE	REV.	ECO	DESCRIPTION	DATE	APPROVED
1	ALL	A	50242	INITIAL RELEASE	10/18/2018	HRC

**LATCH HARDWARE,
(STAINLESS STEEL)**

**SOCKET,
(BRASS, NICKEL AND
CHROME PLATED)**



**PTF NUT
(BRASS, NICKEL PLATED)
(PACKAGED SEPERATELY)**



NOTES:

1. MATERIAL: BRASS
2. FINISH: CHROME
3. O-RING MATERIAL: BUNA-N
4. O-RINGS LUBRICATED WITH FOOD GRADE SILICONE OIL, 350 CST.

FOR REFERENCE ONLY

UNLESS OTHERWISE SPECIFIED:		NAME	DATE	
DIMENSIONS ARE IN INCHES		DRAWN	DHJ 11/30/09	
TOLERANCES:		CHECKED	DHJ 11/30/09	
FRACTIONAL: ±1/32		ENG APPR.	HRC 10/18/18	
ANGULAR: MACH: ±0.5 BEND ±2		MFG APPR.	BDB 10/18/18	
ONE PLACE DECIMAL ±0.1		PRODUCTION	LS 10/18/18	SIZE DWG. NO. REV C 20CB200061 A
TWO PLACE DECIMAL ±0.01		COMMENTS:		
THREE PLACE DECIMAL ±0.005				SCALE: NTS WEIGHT: SHEET 1 OF 1
TWO PLACE DUAL (mm) [±0.12]				

PROPRIETARY AND CONFIDENTIAL
THE INFORMATION CONTAINED IN THIS DRAWING IS THE SOLE PROPERTY OF LINKTECH LLC. ANY REPRODUCTION OR DISCLOSURE IN PART OR AS A WHOLE WITHOUT THE WRITTEN PERMISSION OF LINKTECH LLC IS STRICTLY PROHIBITED.